

AIRVOLUTION-D 550

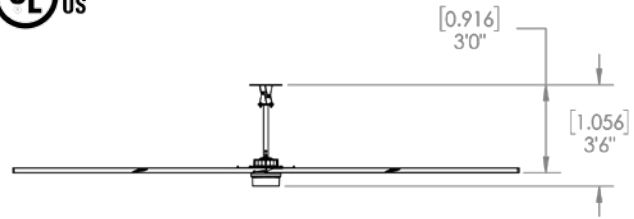


STANDARD FEATURES

- Clearcoat anodized patented airfoil blades with centrifugal cooling
- Forward, reverse, variable speed
- Wash Down Duty rated, IP65 for indoor and outdoor use
- On-board AirBrain adapts to input voltages and optimizes motor control
- Integrates with building automation systems
- Digital wall controller with fault code access
- 50,000-hour warranty
- Safety components: safety cable, universal mount with guy wires, blade retainer links



ILLUSTRATION
SHOWN WITH
STANDARD DROP LENGTH



VOLTAGE

Item #	Voltage Options	Single Phase, Qty	Three Phase, Qty
P550-550L-MA	AVD 550 Low Voltage - 110-277V +/-5%, 50/60 Hz		
P550-550H-MA	AVD 550 High Voltage - 380-600V +/-5%, 50/60 Hz		

DIAMETERS

Item #	Diameter	HP/Power Usage	Industrial Spacing*	Qty
60-10008-00	8 ft / 2.44 m	1.05 HP / 730 W	60 ft [18.3 m]	
60-10010-00	10 ft / 3.05 m	1.05 HP / 850 W	65 ft [19.8 m]	
60-10012-00	12 ft / 3.66 m	1.05 HP / 920 W	70 ft [21.3 m]	
60-10014-00	14 ft / 4.27 m	1.05 HP / 890 W	80 ft [24.4 m]	
60-10016-00	16 ft / 4.88 m	1.05 HP / 1,070 W	90 ft [27.4 m]	
60-10018-00	18 ft / 5.49 m	1.05 HP / 900 W	95 ft [29 m]	

MOUNTING

Item #	Mount Options	Qty
60-50103-00	AVD Universal Mount: I-beam Hardware Kit (Standard)	
60-50109-00	Rapid Mount Industrial: I-beam Hardware Kit	
60-40041-00	Glulam Hardware Kit	

ADDITIONAL OPTIONS

Item #	Description	Qty
10-60200-00	AVD Fuse Disconnect Switch	
10-40195-00	Noise Dampener	
60-41001-00	AVD 550/780 Light Kit, Digital Remote	
60-41002-00	AVD 550/780/AVD3 Light Kit, Building Circuit	
30-04003-00	MacroAir Network Controller 6	
30-10003-00	MacroAir Network Controller 30	
30-10010-00	AirLynk - BacNet	
30-10011-00	AirLynk - LonWorks	
10-80632-00	Repeater	

*Calculation based on AMCA 230-99 equation

AIRVOLUTION-D 550

BASIC SPECIFICATIONS

AIRFOIL DIAMETER	8ft	10ft	12ft	14ft	16ft	18ft
Airfoil Style	7.375" Extruded Anodized Aluminum Airfoil					
Number of Airfoils	6					
PERFORMANCE						
Max Displacement Forward*	53,000 CFM [1,490 CMM]	84,000 CFM [2,380 CMM]	106,000 CFM [3,010 CMM]	132,000 CFM [3,730 CMM]	158,000 CFM [4,490 CMM]	181,000 CFM [5,130 CMM]
Max Displacement Reverse*	29,000 CFM [820 CMM]	49,000 CFM [1,400 CMM]	76,000 CFM [2,140 CMM]	86,000 CFM [2,440 CMM]	114,000 CFM [3,240 CMM]	144,000 CFM [4,080 CMM]
Max Speed	220 RPM	170 RPM	137 RPM	110 RPM	90 RPM	74 RPM
Max Power Usage	730 W	850 W	920 W	890 W	1070 W	900 W
Recommended Industry Spacing**	60 ft [18.3 m]	65 ft [19.8 m]	70 ft [21.3 m]	80 ft [24.4 m]	90 ft [27.4 m]	95 ft [29 m]
Max Affected Area***	4,000 ft ² [372 m ²]	6,600 ft ² [613 m ²]	8,800 ft ² [818 m ²]	11,000 ft ² [1,022 m ²]	13,000 ft ² [1,208 m ²]	15,000 ft ² [1,394 m ²]
Sound Level dBA at Max Speed****	61	59	60	56	53	53
WEIGHT						
Hanging Weight	144 lbs [65.32 kg]	153 lbs [69.4 kg]	162 lbs [73.48 kg]	172 lbs [78.02 kg]	180 lbs [81.65 kg]	188 lbs [85.28 kg]
MOTOR AND DRIVE TRAIN						
Motor Type	Gearless Direct Drive					
Equivalent Horsepower Rating	1.05 HP					
Max Operating Temp	140°F [60°C]					
MAX AMP DRAW / RECOMMENDED FUSE						
110 VAC Single Phase	9.0A / 10	13.9A / 15	13.9A / 15	13.9A / 15	15.2A / 20	15.2A / 20
120 VAC Single Phase	8.3A / 10	12.7 / 15	12.7A / 15	12.7A / 15	14.0A / 15	14.0A / 15
208-240 VAC Single Phase	4.8A / 5	7.3A / 10	7.3A / 10	7.3A / 10	8.1A / 10	8.1A / 10
277 VAC Single Phase	3.6A / 5	5.5A / 10	5.5A / 10	5.5A / 10	6.1A / 10	6.1A / 10
208-240 VAC Three Phase	3.4A / 5	5.3A / 10	5.3A / 10	5.3A / 10	6.6A / 10	5.8A / 10
380 VAC Three Phase	1.9A / 5	2.9A / 5	2.9A / 5	2.9A / 5	3.6A / 5	3.2A / 5
480 VAC Three Phase	1.5A / 5	2.3A / 5	2.3A / 5	2.3A / 5	2.9A / 5	2.5A / 5
600 VAC Three Phase	1.2A / 5	1.8A / 5	1.8A / 5	1.8A / 5	2.3A / 5	2.0A / 5
POWER AND CONTROLS						
Power Source High	Single Phase or Three Phase (380-600) VAC +/-5%, 50/60 Hz					
Power Source Low	Single Phase or Three Phase (120-277) VAC +/-5%, 50/60 Hz					
Control Options	Digital Touchpad, MacroAir Controller 6 and 30, AirLynk - BacNet / LonWorks					
INSTALLATION						
Mounting Hardware	Universal Mount					
Drop Length	In addition to the standard drop length supplied, optional drop lengths are available in 1in increments; total drop lengths 10ft and greater require guy wires					
RATINGS AND COMPLIANCE						
Fire and Sprinkler	NFPA Compliant					
Wash Down Duty Rating	IP65					
Certifications	UL 507, CE					

*Calculation based on AMCA 230-99 equation

**Delivers 2.8-4.2 ft/s [0.86-1.27 m/s] of average air speed in the occupied space. This relates to perceived cooling or set point change of 4.9-6.1 F [2.7-4.3 C]. Consult our online AirViz tool for more details

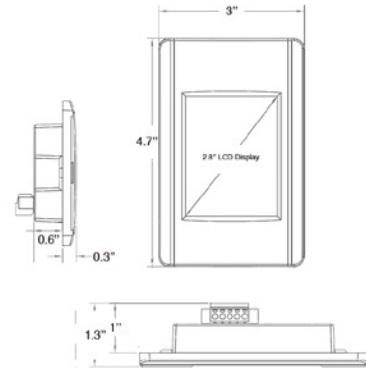
***Delivers 2.7-3.8 ft/s [0.82-1.16 m/s] of average air speed in the occupied space. This relates to a perceived cooling or set point change of 4.8-5.8 F [2.6-3.2 C]. Consult our online AirViz tool for more details.

****Sound testing taken with the sensor 5 ft above the ground and 20 ft from the center of the fan at 20 ft high.

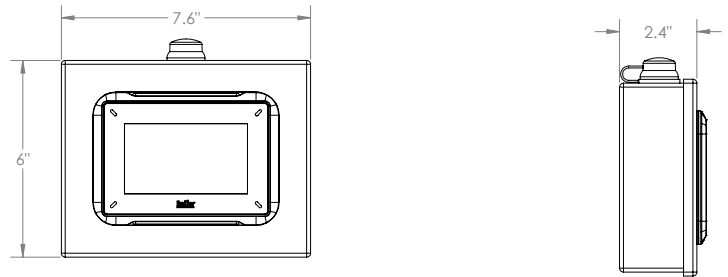
AIRVOLUTION-D 550

CONTROL OPTIONS

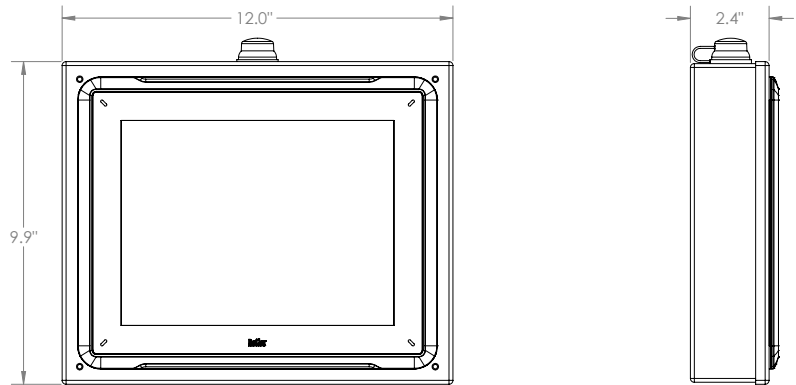
Digital Touchpad Controller



MacroAirController 6



MacroAirController 30



PROJECT

Project Information

Job Name _____
 Address _____
 City _____ State _____
 Distributor _____
 Quantity _____

Certified By

Name _____
 Company _____
 Address _____
 City _____ State _____
 Date _____