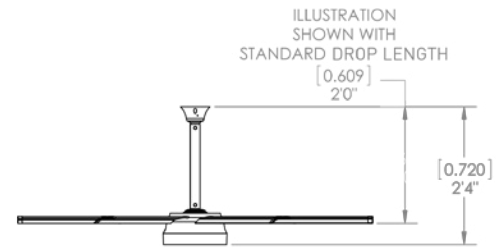


AIRVOLUTION-D 370



STANDARD FEATURES

- Clearcoat anodized airfoil blades
- Forward, reverse, variable speed
- Wash Down Duty rated, IP65 for indoor and outdoor use
- On-board AirBrain optimizes motor control
- Integrates with building automation systems
- Digital wall controller with fault code access
- 50,000-hour warranty
- Safety components: safety cable, rapid mount commercial



Note: Custom drop lengths greater than 5 ft require guy wires

VOLTAGE

Item #	Voltage Options	Qty
P370-370L-MA	AVD 370 Low Voltage - 110V-240V +/-5% Single Phase, 50/60 Hz	

DIAMETERS

Item #	Diameter	HP/Power Usage	Industrial Spacing**	Qty
60-20006-00	6 ft / 1.83 m	0.25 HP / 110 W	28 ft [8.5 m]	
60-20008-00	8 ft / 2.44 m	0.25 HP / 270 W	36 ft [11 m]	
60-20010-00	10 ft / 3.05 m	0.25 HP / 190 W	40 ft [12.2 m]	
60-20012-00	12 ft / 3.66 m	0.25 HP / 140 W	48 ft [14.6 m]	

MOUNTING

Item #	Mount Options	Qty
60-50105-00*	Rapid Mount Commercial (<i>up to 5ft drop length</i>) - Standard	
10-90161-00	Rapid Mount Commercial: I-beam Hardware Kit	
10-90162-00	Rapid Mount Commercial: Glulam Hardware Kit	
60-50104-00	Standard Mount: I-beam Hardware Kit	
60-50103-00	AVD Universal Mount: I-beam Hardware Kit	
60-40041-00	Glulam Hardware Kit	

ADDITIONAL OPTIONS

Item #	Description	Qty
10-60200-00	AVD Fuse Disconnect Switch	
30-04003-00	MacroAir Network Controller 6	
30-10003-00	MacroAir Network Controller 30	
30-10010-00	AirLynk - BacNet	
30-10011-00	AirLynk - LonWorks	
10-80632-00	Repeater	

* The 208-240 volt AVD 370 is not UL Certified
 ** Calculation based on AMCA 230-99 equation

AIRVOLUTION-D 370

BASIC SPECIFICATIONS

AIRFOIL DIAMETER	6ft	8ft	10ft	12ft
Airfoil Style	4.5 inch Extruded Anodized Aluminum Airfoil			
Number of Airfoils	6			
PERFORMANCE				
Max Displacement Forward*	19,000 CFM [540 CMM]	38,000 CFM [1,090 CMM]	47,000 CFM [1,330 CMM]	54,000 CFM [1,520 CMM]
Max Displacement Reverse*	7,000 CFM [200 CMM]	21,000 CFM [600 CMM]	34,000 CFM [970 CMM]	39,000 CFM [1,100 CMM]
Max Speed	140 RPM	140 RPM	93.5 RPM	65.2 RPM
Max Power Usage	110 W	270 W	190 W	140 W
Recommended Industry Spacing**	28 ft [8.5 m]	36 ft [11 m]	40 ft [12.2 m]	48 ft [14.6 m]
Max Affected Area***	1,300 ft ² [121 m ²]	2,200 ft ² [204 m ²]	2,700 ft ² [251 m ²]	3,500 ft ² [325 m ²]
Sound Level dBA at Max Speed****	40	48	44	41
WEIGHT				
Hanging Weight	52 lb [23.6 kg]	59 lb [26.8 kg]	65 lb [29.5 kg]	74 lb [33.6 kg]
MOTOR AND DRIVE TRAIN				
Motor Type	Gearless Direct Drive			
Equivalent Horsepower Rating	0.25 HP			
Max Operating Temp	140°F [60°C]			
MAX AMP DRAW / RECOMMENDED FUSE				
110 VAC Single Phase	1.5A / 5	5.9A / 10	3.8A / 5	2.0A / 5
120 VAC Single Phase	1.4A / 5	5.4A / 10	3.5A / 5	1.8A / 5
208 VAC Single Phase	0.8A / 5	3.1A / 5	2.0A / 5	1.0A / 5
POWER AND CONTROLS				
Power Source High	N/A			
Power Source Low	Single Phase 110 or 220 VAC +/-5%			
Control Options	Digital Touchpad, MacroAir Controller 6 and 30, AirLynk - BacNet / LonWorks			
INSTALLATION				
Mounting Hardware	Rapid Mount Commercial			
Drop Length	In addition to the standard drop length supplied, optional drop lengths are available in 1ft increments; total drop lengths 5ft and greater require guy wires			
RATINGS AND COMPLIANCE				
Fire and Sprinkler	NFPA Compliant			
Wash Down Duty Rating	IP65			
Certifications	UL 507****, CE			

*Calculation based on AMCA 230-99 equation

**Delivers 2.8-4.2 ft/s [0.86-1.27 m/s] of average air speed in the occupied space. This relates to perceived cooling or set point change of 4.9-6.1 F [2.7-3.4 C]. Consult our online AirViz tool for more details

***Delivers 2.7-3.8 ft/s [0.82-1.16 m/s] of average air speed in the occupied space. This relates to a perceived cooling or set point change of 4.8-5.8 F [2.6-3.2 C]. Consult our online AirViz tool for more details.

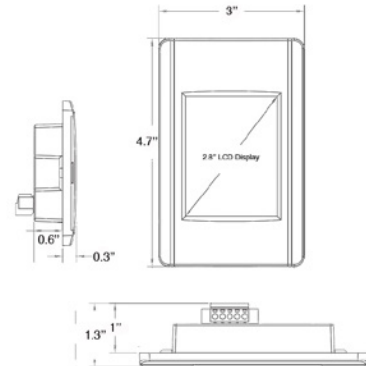
****Sound testing taken with the sensor 5 ft above the ground and 20 ft from the center of the fan at 20 ft high.

*****The 208-240 volt AVD 370 is not UL Certified

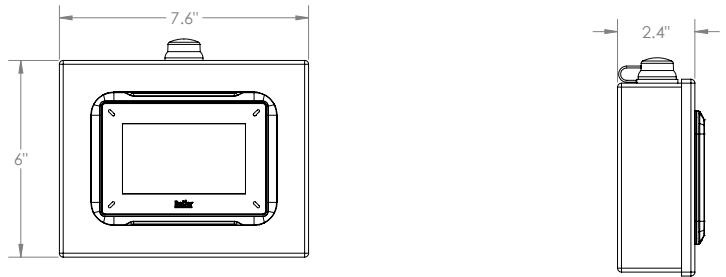
AIRVOLUTION-D 370

CONTROL OPTIONS

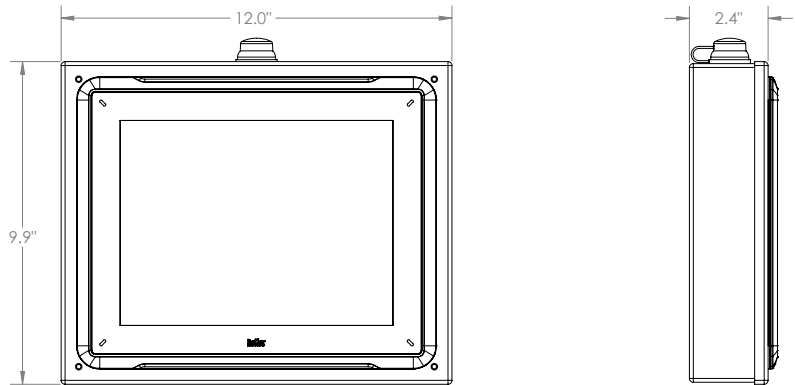
Digital Touchpad Controller



MacroAirController 6



MacroAirController 30



PROJECT

Project Information

Job Name _____
 Address _____
 City _____ State _____
 Distributor _____
 Quantity _____

Certified By

Name _____
 Company _____
 Address _____
 City _____ State _____
 Date _____